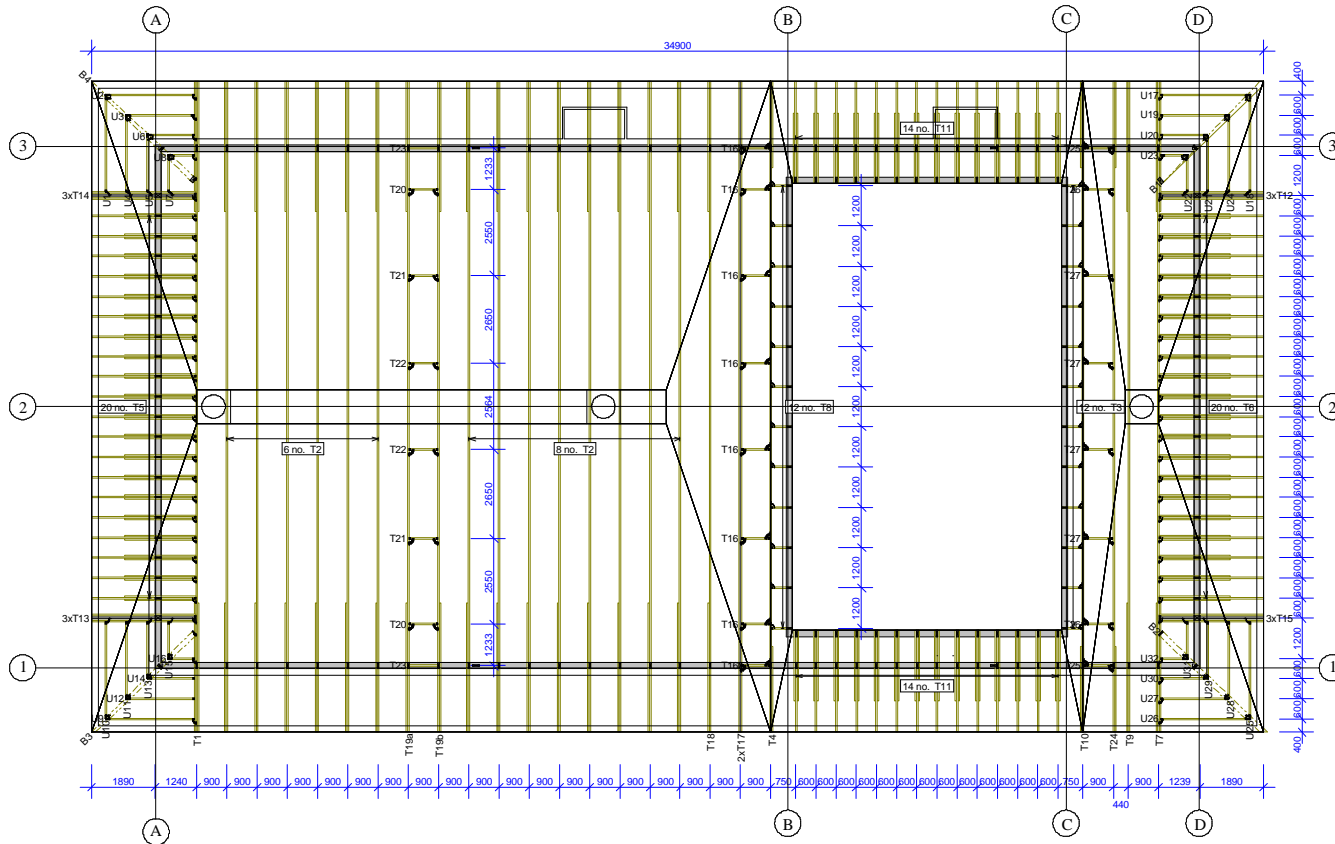


TRUSS PLAN

Roof surface m2 556.227



GENERAL NOTES

1. This drawing and associated calculations is the property of WoodCon, Ltd. Any copying, distribution and usage of these drawings without the permission from WoodCon, Ltd., is not allowed.
2. Loads:
 - Dead load roof: 400 N/m²
 - Dead load ceiling: 300 N/m²
 - Snow load: 1600 N/m²
 - Wind load, (velocity pressure): 640 N/m²
3. A detailed design of suspension between construction parts is not made by WoodCon, Ltd. This is assumed to be made by the client/building designer.
4. It needs to be verified that the roof layout, trusses and supporting system is in compliance with the wishes/demands of the client before the production of the trusses starts.
5. Wind and stability bracing of the building: Out of plane bracing of trusses and stability bracing of the building need to be calculated separately on a building of this size. This is not made by WoodCon, Ltd., but is assumed to be done by the building designer.



Woodcon, Ltd.
 REG.LV41203036961
 Ph:+37129332958
 e-mail: woodcon@woodcon.lv

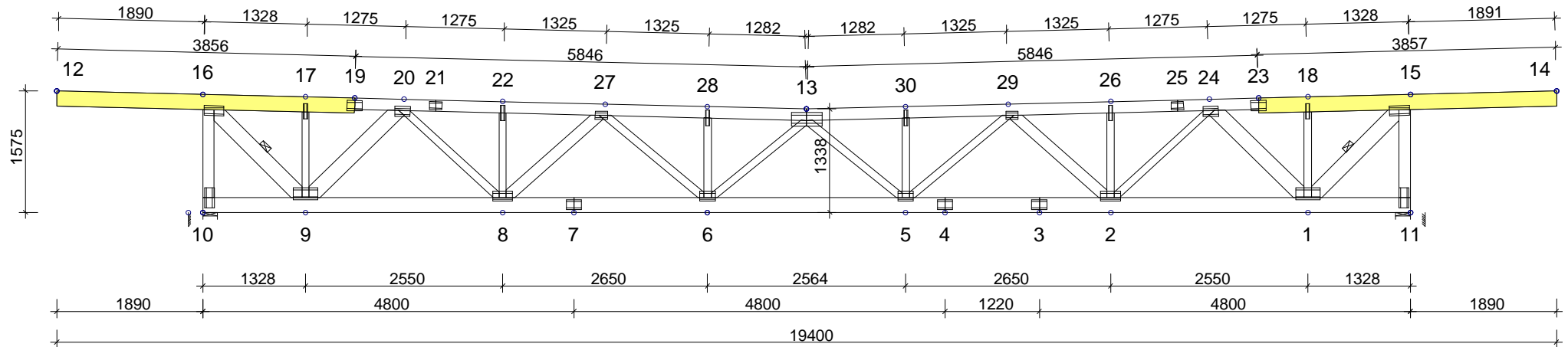
DRAWN	CHECKED	JOB NO. Complex_6
		20120403

CODE TYPE NO.	DRAWING NUMBER	REG.
---------------	----------------	------

SCALE 1:225

BRACINGS ACCORDING TO TIMBER TABLE AND STABILITY OF THE TRUSS SYSTEM SHALL BE DESIGNED SEPARATELY

INDICATES BRACING



TIMBER: THICKNESS 45 mm				
CONSTR.-PART	DEPTH mm	GRADE	BRACING mm/pcs	LOAD N/m ²
10-11	195	K24	Full	300
13-23	145	K24	400	650
14-23	195	K24	400	650
15-23	145	K24	400	650
16-23	195	K24	400	650
17-23	145	K24	400	650
18-23	195	K24	400	650
19-23	145	K24	400	650
20-23	195	K24	400	650
21-23	145	K24	400	650
22-23	195	K24	400	650
27-28	145	K24	400	650
10	145	K24	150	150
11	145	K24	150	150
1-9	195	K24	None	None
1-10	145	K24	None	None
1-11	195	K24	None	None
1-12	145	K24	None	None
1-13	195	K24	None	None
1-14	145	K24	None	None
1-15	195	K24	None	None
1-16	145	K24	None	None
1-17	195	K24	None	None
1-18	145	K24	None	None
1-19	195	K24	None	None
1-20	145	K24	None	None
1-21	195	K24	None	None
1-22	145	K24	None	None
1-23	195	K24	None	None
1-24	145	K24	None	None
1-25	195	K24	None	None
1-26	145	K24	None	None
1-27	195	K24	None	None
1-28	145	K24	None	None
1-29	195	K24	None	None
1-30	145	K24	None	None
1-31	195	K24	None	None
1-32	145	K24	None	None
1-33	195	K24	None	None
1-34	145	K24	None	None
1-35	195	K24	None	None
1-36	145	K24	None	None
1-37	195	K24	None	None
1-38	145	K24	None	None
1-39	195	K24	None	None
1-40	145	K24	None	None
1-41	195	K24	None	None
1-42	145	K24	None	None
1-43	195	K24	None	None
1-44	145	K24	None	None
1-45	195	K24	None	None
1-46	145	K24	None	None
1-47	195	K24	None	None
1-48	145	K24	None	None
1-49	195	K24	None	None
1-50	145	K24	None	None
1-51	195	K24	None	None
1-52	145	K24	None	None
1-53	195	K24	None	None
1-54	145	K24	None	None
1-55	195	K24	None	None
1-56	145	K24	None	None
1-57	195	K24	None	None
1-58	145	K24	None	None
1-59	195	K24	None	None
1-60	145	K24	None	None
1-61	195	K24	None	None
1-62	145	K24	None	None
1-63	195	K24	None	None
1-64	145	K24	None	None
1-65	195	K24	None	None
1-66	145	K24	None	None
1-67	195	K24	None	None
1-68	145	K24	None	None
1-69	195	K24	None	None
1-70	145	K24	None	None
1-71	195	K24	None	None
1-72	145	K24	None	None
1-73	195	K24	None	None
1-74	145	K24	None	None
1-75	195	K24	None	None
1-76	145	K24	None	None
1-77	195	K24	None	None
1-78	145	K24	None	None
1-79	195	K24	None	None
1-80	145	K24	None	None
1-81	195	K24	None	None
1-82	145	K24	None	None
1-83	195	K24	None	None
1-84	145	K24	None	None
1-85	195	K24	None	None
1-86	145	K24	None	None
1-87	195	K24	None	None
1-88	145	K24	None	None
1-89	195	K24	None	None
1-90	145	K24	None	None
1-91	195	K24	None	None
1-92	145	K24	None	None
1-93	195	K24	None	None
1-94	145	K24	None	None
1-95	195	K24	None	None
1-96	145	K24	None	None
1-97	195	K24	None	None
1-98	145	K24	None	None
1-99	195	K24	None	None
1-100	145	K24	None	None
SC 12-19	2x45x195	K24	1 pcs	
SC 14-23	2x45x195	K24	1 pcs	

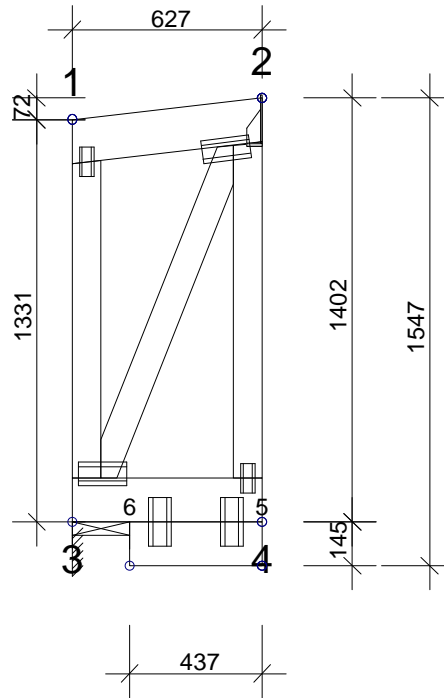
GENERAL SETTINGS:	
TIMBER THICKNESS: (mm)	45
TRUSS CENTRES: (mm)	900
CLIMATE CLASS:	2
SAFETY CLASS:	2
LOADS (N/m ²):	
SNOW LOAD (BASE VALUE):	1600
WIND LOAD (BASE VALUE):	640
DEAD LOADS: SEE TIMBER TABLE	
OTHER LOADS AS PER CALC. PRINT-OUT	

GENERAL DIRECTIONS:
 THE STRUCTURE HAS BEEN CALCULATED USING COMPUTER PROGRAM "TRUSSCON". LIC.NO: 15323
 CODE TIMBER: BKR03 (BFS2005:18)
 CODE FASTENER: GODKÄNNANDE-REGLER No 4 1974.

VERSION: 2011 SR3c
 TIME: 15.56

		Woodcon, Ltd. REG.LV41203036961 Ph:+37129332958 e-mail: woodcon@woodcon.lv	
		DRAWN CONSTR.BY ,20120403	CHECKED Complex_6
CODE TYPE NO.		DRAWING NUMBER T1	
REG.			

BRACINGS ACCORDING TO TIMBER TABLE AND STABILITY OF THE TRUSS SYSTEM SHALL BE DESIGNED SEPARATELY



TIMBER: THICKNESS 45 mm				
CONSTR.-PART	DEPTH mm	GRADE	BRACING mm	LOAD N/m²
1-2	145	K24	400	400
3-1	95	K18	None	150
3-4	145	K24	Full	300
2-4	95	K18	None	150
2-3	95	K18	None	
5-6	145	K18		

GENERAL SETTINGS:	
TIMBER THICKNESS: (mm)	45
TRUSS CENTRES: (mm)	100
CLIMATE CLASS:	2
SAFETY CLASS:	2
LOADS (N/m²):	
SNOW LOAD (BASE VALUE):	1600
WIND LOAD (BASE VALUE):	640
DEAD LOADS: SEE TIMBER TABLE	
OTHER LOADS AS PER CALC. PRINT-OUT	

GENERAL DIRECTIONS:

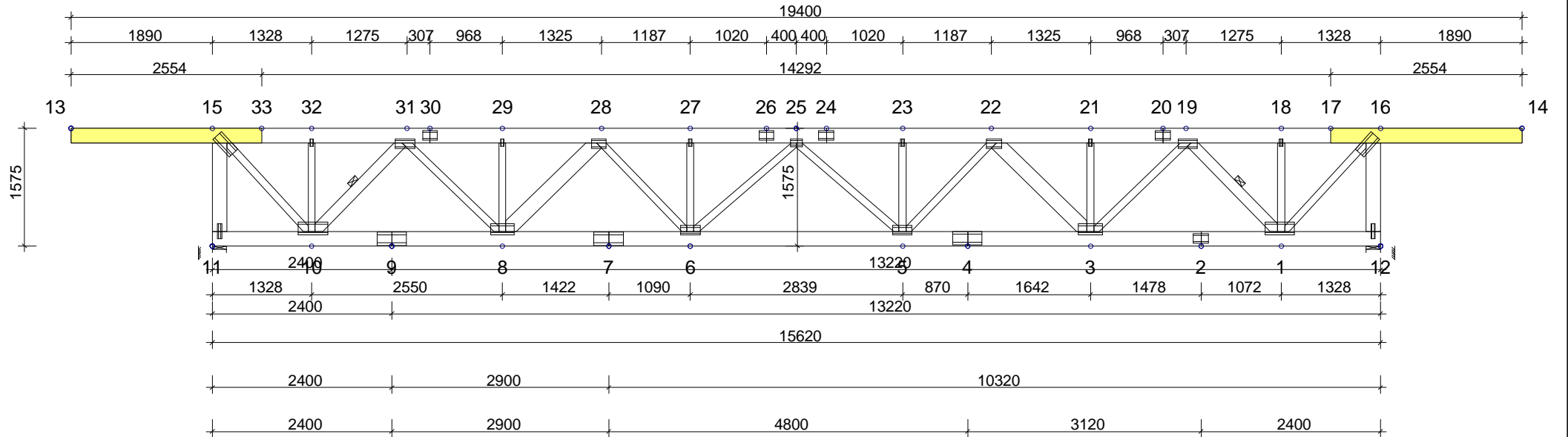
THE STRUCTURE HAS BEEN CALCULATED USING COMPUTER PROGRAM "TRUSSCON". LIC.NO: 15323
 CODE TIMBER: BKR03 (BFS2005:18)
 CODE FASTENER: GODKÄNNANDE-REGLER No 4 1974.

VERSION: 2011 SR3c
 TIME: 15.56

		Woodcon, Ltd. REG.LV41203036961 Ph:+37129332958 e-mail: woodcon@woodcon.lv		
		DRAWN CONSTR.BY Vytas Demenis	CHECKED	JOB NO. Complex_6
, 20120403		CODE TYPE NO.	DRAWING NUMBER T3	REG.

BRACINGS ACCORDING TO TIMBER TABLE AND STABILITY OF THE TRUSS SYSTEM SHALL BE DESIGNED SEPARATELY

INDICATES BRACING



TIMBER: THICKNESS 45 mm				
CONSTR.-PART	DEPTH mm	GRADE	BRACING mm/pcs	LOAD N/m²
11-12	195	K24	Full	300
13-14	195	K24	400	650
11-15	195	K18	None	150
12-16	195	K18	None	150
1-18	95	K18	None	
10-32	95	K18	None	
3-21	95	K18	None	
8-29	95	K18	None	
5-23	95	K18	None	
6-27	95	K18	None	
9-25	95	K18	None	
10-25	95	K18	None	
5-22	95	K18	None	
6-28	95	K18	None	
3-22	195	K18	None	
8-28	195	K18	None	
3-19	95	K18	None	
8-31	95	K18	None	
1-19	145	K24	1 pcs	
10-31	145	K24	1 pcs	
1-16	95	K18	None	
10-15	95	K18	None	
SC 13-33	1x45x195	K24		
SC 14-17	1x45x195	K24		

GENERAL SETTINGS:	
TIMBER THICKNESS: (mm)	45
TRUSS CENTRES: (mm)	900
CLIMATE CLASS:	2
SAFETY CLASS:	2
LOADS (N/m²):	
SNOW LOAD (BASE VALUE):	1600
WIND LOAD (BASE VALUE):	640
DEAD LOADS: SEE TIMBER TABLE	
OTHER LOADS AS PER CALC. PRINT-OUT	

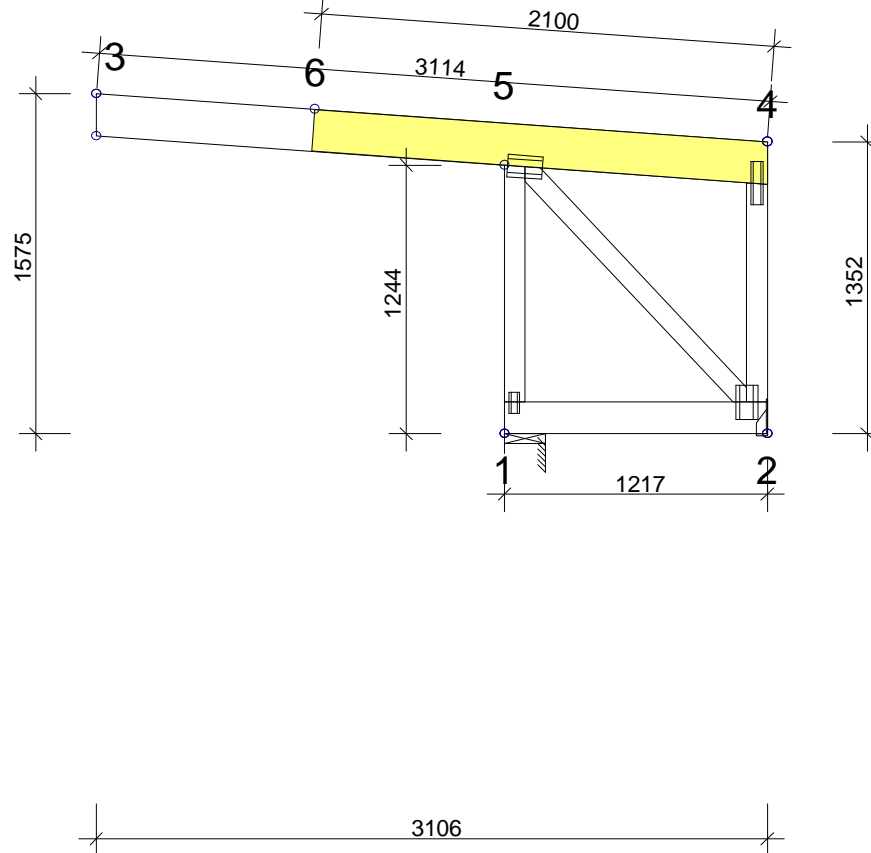
GENERAL DIRECTIONS:

THE STRUCTURE HAS BEEN CALCULATED USING COMPUTER PROGRAM "TRUSSCON". LIC.NO: 15323
 CODE TIMBER: BKR03 (BFS2005:18)
 CODE FASTENER: GODKÄNNANDE-REGLER No 4 1974.

VERSION: 2011 SR3c
 TIME: 15.56

		Woodcon, Ltd. REG.LV41203036961 Ph:+37129332958 e-mail: woodcon@woodcon.lv	
		DRAWN CONSTR.BY ,20120403	CHECKED Complex_6
CODE TYPE NO.		DRAWING NUMBER T4	REG.

BRACINGS ACCORDING TO TIMBER TABLE AND STABILITY OF THE TRUSS SYSTEM SHALL BE DESIGNED SEPARATELY



TIMBER: THICKNESS 45 mm				
CONSTR.-PART	DEPTH mm	GRADE	BRACING mm	LOAD N/m²
2-1	145	K24	Full	300
3-4	195	K24	400	650
1-5	95	K18	None	150
2-4	95	K18	None	150
2-5	95	K18	None	
SC 6-4	2x45x195	K24		

GENERAL SETTINGS:	
TIMBER THICKNESS: (mm)	45
TRUSS CENTRES: (mm)	600
CLIMATE CLASS:	2
SAFETY CLASS:	2
LOADS (N/m²):	
SNOW LOAD (BASE VALUE):	1600
WIND LOAD (BASE VALUE):	640
DEAD LOADS: SEE TIMBER TABLE	
OTHER LOADS AS PER CALC. PRINT-OUT	

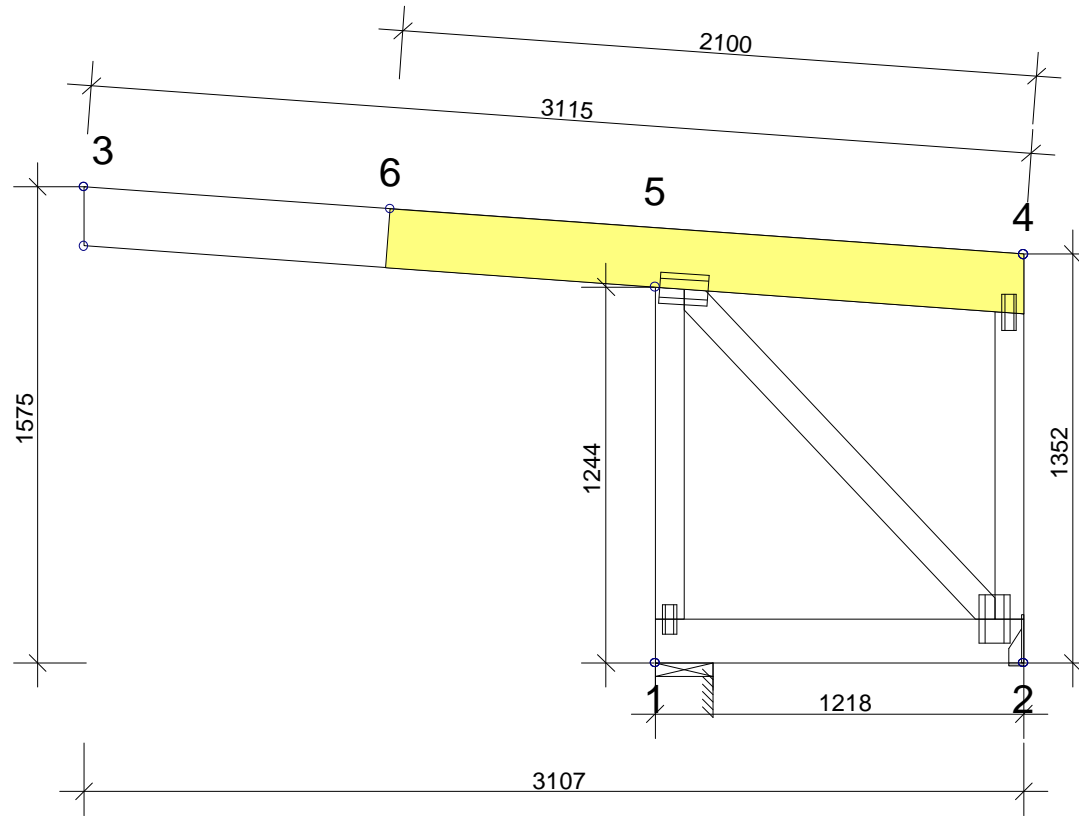
GENERAL DIRECTIONS:

THE STRUCTURE HAS BEEN CALCULATED USING COMPUTER PROGRAM "TRUSSCON". LIC.NO: 15323
 CODE TIMBER: BKR03 (BFS2005:18)
 CODE FASTENER: GODKÄNNANDE-REGLER No 4 1974.

VERSION: 2011 SR3c
 TIME: 15.55

		Woodcon, Ltd. REG.LV41203036961 Ph:+37129332958 e-mail: woodcon@woodcon.lv		
		DRAWN CONSTR.BY Vytas Demenis	CHECKED	JOB NO. Complex_6
, 20120403		CODE TYPE NO.	DRAWING NUMBER T5	REG.

BRACINGS ACCORDING TO TIMBER TABLE AND STABILITY OF THE TRUSS SYSTEM SHALL BE DESIGNED SEPARATELY



TIMBER: THICKNESS 45 mm				
CONSTR.-PART	DEPTH mm	GRADE	BRACING mm	LOAD N/m²
2-1	145	K24	Full	300
3-4	195	K24	400	650
1-5	95	K18	None	150
2-4	95	K18	None	150
2-5	95	K18	None	150
SC 6-4	2x45x195	K24		

GENERAL SETTINGS:	
TIMBER THICKNESS: (mm)	45
TRUSS CENTRES: (mm)	600
CLIMATE CLASS:	2
SAFETY CLASS:	2
LOADS (N/m²):	
SNOW LOAD (BASE VALUE):	1600
WIND LOAD (BASE VALUE):	640
DEAD LOADS: SEE TIMBER TABLE	
OTHER LOADS AS PER CALC. PRINT-OUT	

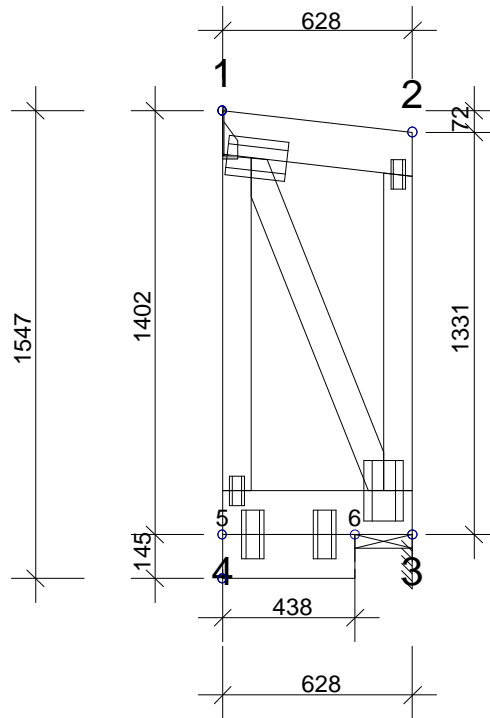
GENERAL DIRECTIONS:
 THE STRUCTURE HAS BEEN CALCULATED USING COMPUTER PROGRAM "TRUSSCON". LIC.NO: 15323
 CODE TIMBER: BKR03 (BFS2005:18)
 CODE FASTENER: GODKÄNNANDE-REGLER No 4 1974.

VERSION: 2011 SR3c
 TIME: 15.56

		Woodcon, Ltd.	
		REG.LV41203036961	
Ph:+37129332958		e-mail: woodcon@woodcon.lv	
DRAWN CONSTR.BY		CHECKED	JOB NO.
, 20120403			Complex_6
CODE TYPE NO.		DRAWING NUMBER	REG.
		T6	

SCALE 1:25

BRACINGS ACCORDING TO TIMBER TABLE AND STABILITY OF THE TRUSS SYSTEM SHALL BE DESIGNED SEPARATELY



TIMBER: THICKNESS 45 mm					GENERAL SETTINGS:	
CONSTR.-PART	DEPTH mm	GRADE	BRACING mm	LOAD N/m²	TIMBER THICKNESS: (mm)	45
1-2	145	K24	400	650	TRUSS CENTRES: (mm)	1200
2-3	95	K18	None	150	CLIMATE CLASS:	2
3-4	145	K24	Full	300	SAFETY CLASS:	2
4-1	95	K18	None	150	LOADS (N/m²):	
1-3	95	K18	None		SNOW LOAD (BASE VALUE):	1600
5-6	145	K18			WIND LOAD (BASE VALUE):	640
					DEAD LOADS: SEE TIMBER TABLE	
					OTHER LOADS AS PER CALC. PRINT-OUT	

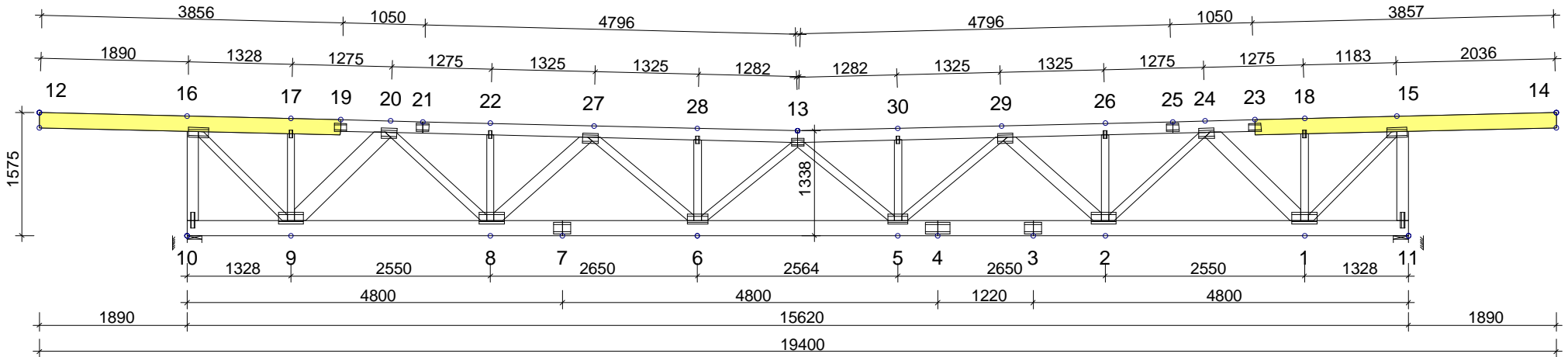
GENERAL DIRECTIONS:

THE STRUCTURE HAS BEEN CALCULATED USING COMPUTER PROGRAM "TRUSSCON". LIC.NO: 15323
 CODE TIMBER: BKR03 (BFS2005:18)
 CODE FASTENER: GODKÄNNANDE-REGLER No 4 1974.

VERSION: 2011 SR3c
 TIME: 15.56

		Woodcon, Ltd. REG.LV41203036961 Ph:+37129332958 e-mail: woodcon@woodcon.lv	
		SCALE 1:25	
DRAWN	CONSTR.BY	CHECKED	JOB NO. Complex_6
, 20120403		CODE TYPE NO.	DRAWING NUMBER T8
			REG.

BRACINGS ACCORDING TO TIMBER TABLE AND STABILITY OF THE TRUSS SYSTEM SHALL BE DESIGNED SEPARATELY



TIMBER: THICKNESS 45 mm					GENERAL SETTINGS:	
CONSTR.-PART	DEPTH mm	GRADE	BRACING mm	LOAD N/m ²	TIMBER THICKNESS: (mm)	45
10-11	195	K24	Full	300	TRUSS CENTRES: (mm)	900
13-23	145	K24	400	650	CLIMATE CLASS:	2
14-23	195	K24	400	650	SAFETY CLASS:	2
15-23	145	K24	400	650		
16-23	195	K24	400	650		
17-23	145	K24	400	650		
18-23	195	K24	400	650		
19-23	145	K24	400	650		
20-23	195	K24	400	650		
21-23	145	K24	400	650		
22-23	195	K24	400	650		
27-28	145	K24	400	650		
10	145	None	None	150		
11	145	None	None	150		
9	145	None	None	None		
8	145	None	None	None		
7	145	None	None	None		
6	145	None	None	None		
5	145	None	None	None		
4	145	None	None	None		
3	145	None	None	None		
2	145	None	None	None		
1	145	None	None	None		
11	145	None	None	None		
SC 12-19	1x45x195	K24	None	None	DEAD LOADS: SEE TIMBER TABLE	
SC 14-23	1x45x195	K24	None	None	OTHER LOADS AS PER CALC. PRINT-OUT	

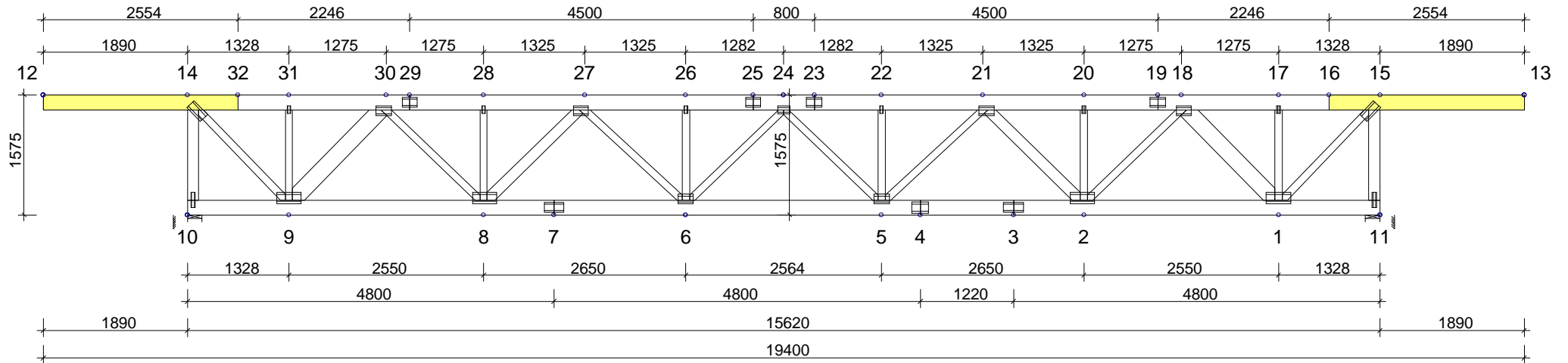
GENERAL DIRECTIONS:

THE STRUCTURE HAS BEEN CALCULATED USING COMPUTER PROGRAM "TRUSSCON". LIC.NO: 15323
 CODE TIMBER: BKR03 (BFS2005:18)
 CODE FASTENER: GODKÄNNANDE-REGLER No 4 1974.

VERSION: 2011 SR3c
 TIME: 15.56

		Woodcon, Ltd. REG.LV41203036961 Ph:+37129332958 e-mail: woodcon@woodcon.lv		
		DRAWN CONSTR.BY ,20120403	CHECKED Complex_6	JOB NO. Complex_6
CODE TYPE NO.		DRAWING NUMBER T9		REG.

BRACINGS ACCORDING TO TIMBER TABLE AND STABILITY OF THE TRUSS SYSTEM SHALL BE DESIGNED SEPARATELY



TIMBER: THICKNESS 45 mm				
CONSTR.-PART	DEPTH mm	GRADE	BRACING mm	LOAD N/m ²
10-11	195	K24	Full	300
12-13	195	K24	400	650
10-14	145	K24	None	150
11-15	145	K24	None	150
1-17	95	K18	None	
9-31	95	K18	None	
2-20	95	K18	None	
8-28	95	K18	None	
5-22	95	K18	None	
6-26	95	K18	None	
5-24	95	K18	None	
6-24	95	K18	None	
5-21	95	K18	None	
6-27	95	K18	None	
2-21	145	K24	None	
8-27	145	K24	None	
2-18	95	K18	None	
8-30	95	K18	None	
1-18	220	K24	None	
9-30	220	K24	None	
1-15	95	K18	None	
9-14	95	K18	None	
SC 12-32	1x45x195	K24		
SC 13-16	1x45x195	K24		

GENERAL SETTINGS:	
TIMBER THICKNESS: (mm)	45
TRUSS CENTRES: (mm)	900
CLIMATE CLASS:	2
SAFETY CLASS:	2
LOADS (N/m ²):	
SNOW LOAD (BASE VALUE):	1600
WIND LOAD (BASE VALUE):	640
DEAD LOADS: SEE TIMBER TABLE	
OTHER LOADS AS PER CALC. PRINT-OUT	

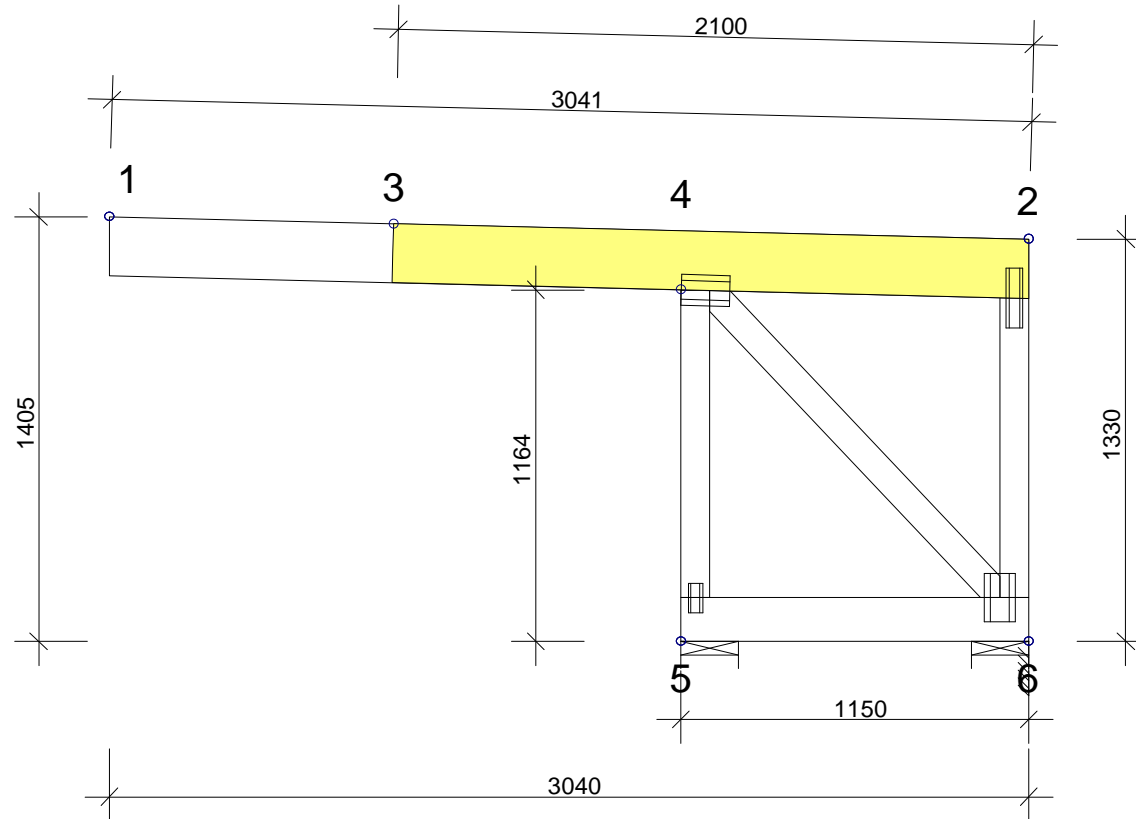
GENERAL DIRECTIONS:

THE STRUCTURE HAS BEEN CALCULATED USING COMPUTER PROGRAM "TRUSSCON". LIC.NO: 15323
 CODE TIMBER: BKR03 (BFS2005:18)
 CODE FASTENER: GODKÄNNANDE-REGLER No 4 1974.

VERSION: 2011 SR3c
 TIME: 15.56

		Woodcon, Ltd. REG.LV41203036961 Ph:+37129332958 e-mail: woodcon@woodcon.lv	
		DRAWN CONSTR.BY ,20120403	CHECKED Complex_6
CODE TYPE NO.		DRAWING NUMBER T10	REG.

BRACINGS ACCORDING TO TIMBER TABLE AND STABILITY OF THE TRUSS SYSTEM SHALL BE DESIGNED SEPARATELY



TIMBER: THICKNESS 45 mm					GENERAL SETTINGS:	
CONSTR.-PART	DEPTH mm	GRADE	BRACING mm	LOAD N/m²	TIMBER THICKNESS: (mm)	45
1-2	195	K24	400	650	TRUSS CENTRES: (mm)	600
5-6	145	K24	Full	300	CLIMATE CLASS:	2
4-5	95	K18	None	150	SAFETY CLASS:	2
2-6	95	K18	None	150	LOADS (N/m²):	
4-6	95	K18	None	150	SNOW LOAD (BASE VALUE):	1600
SC 2-3	2x45x195	K24			WIND LOAD (BASE VALUE):	640
					DEAD LOADS: SEE TIMBER TABLE	
					OTHER LOADS AS PER CALC. PRINT-OUT	

GENERAL DIRECTIONS:

THE STRUCTURE HAS BEEN CALCULATED USING COMPUTER PROGRAM "TRUSSCON". LIC.NO: 15323
 CODE TIMBER: BKR03 (BFS2005:18)
 CODE FASTENER: GODKÄNNANDE-REGLER No 4 1974.

VERSION: 2011 SR3c
 TIME: 15.56



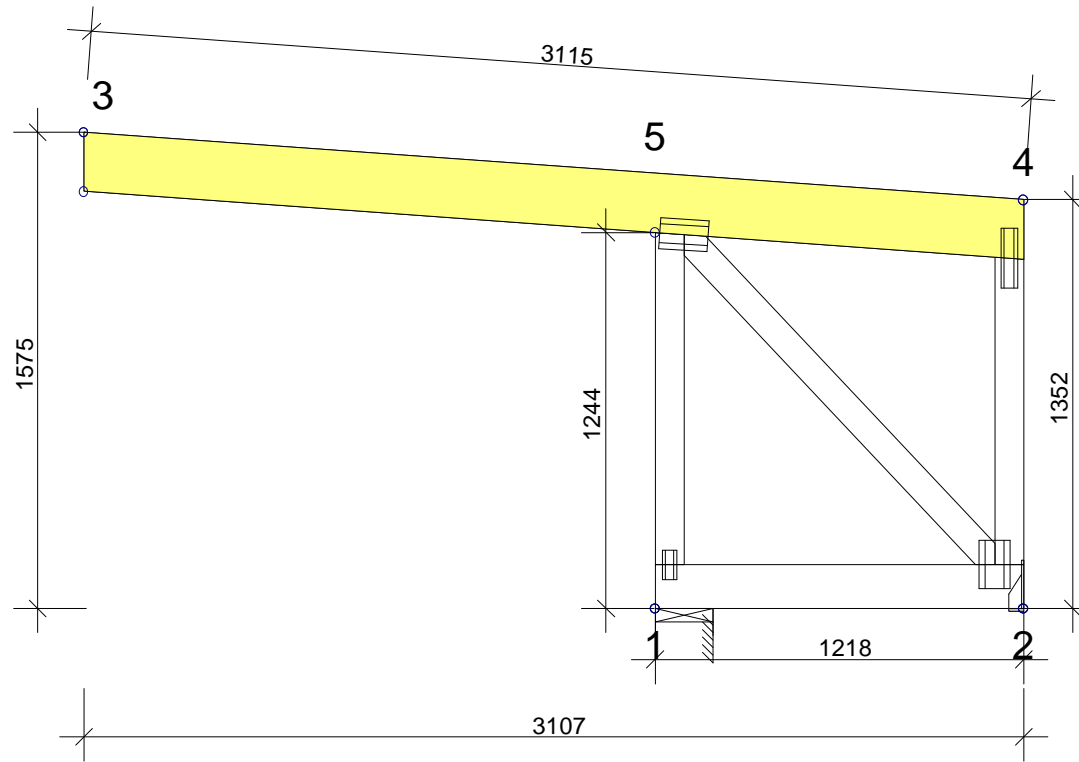
Woodcon, Ltd.
 REG.LV41203036961
 Ph:+37129332958
 e-mail: woodcon@woodcon.lv

DRAWN CONSTR.BY	CHECKED	JOB NO.
, 20120403		Complex_6

CODE TYPE NO.	DRAWING NUMBER	REG.
	T11	

SCALE 1:25

BRACINGS ACCORDING TO TIMBER TABLE AND STABILITY OF THE TRUSS SYSTEM SHALL BE DESIGNED SEPARATELY



TIMBER: THICKNESS 45 mm 3 PLY				
CONSTR.-PART	DEPTH mm	GRADE	BRACING mm	LOAD N/m²
2-1	145	K24	Full	300
3-4	195	K24	400	650
1-5	95	K18	None	150
2-4	95	K18	None	150
2-5	95	K18	None	
SC 3-4	2x45x195	K24		

GENERAL SETTINGS:	
TIMBER THICKNESS: (mm)	3 x 45
TRUSS CENTRES: (mm)	600
CLIMATE CLASS:	2
SAFETY CLASS:	2
LOADS (N/m²):	
SNOW LOAD (BASE VALUE):	1600
WIND LOAD (BASE VALUE):	640
DEAD LOADS: SEE TIMBER TABLE	
OTHER LOADS AS PER CALC. PRINT-OUT	

GENERAL DIRECTIONS:

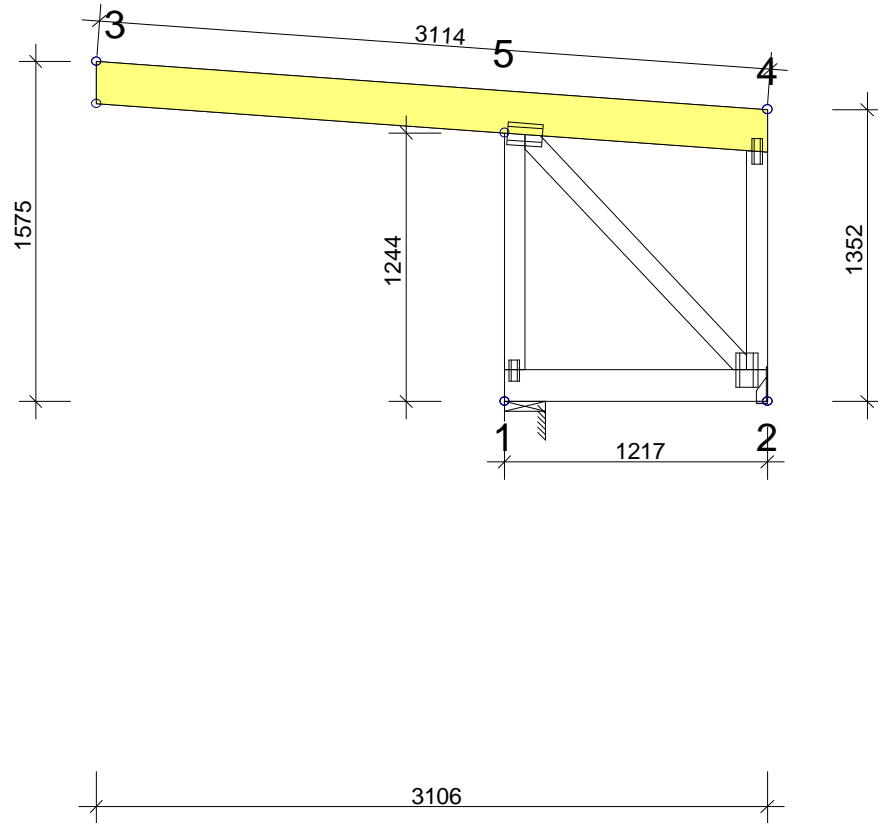
THE STRUCTURE HAS BEEN CALCULATED USING COMPUTER PROGRAM "TRUSSCON". LIC.NO: 15323
 CODE TIMBER: BKR03 (BFS2005:18)
 CODE FASTENER: GODKÄNNANDE-REGLER No 4 1974.

VERSION: 2011 SR3c
 TIME: 15.56

		Woodcon, Ltd.	
		REG.LV41203036961	
DRAWN CONSTR.BY		CHECKED	JOB NO.
,20120403			Complex_6
CODE TYPE NO.		DRAWING NUMBER	REG.
		T12	

SCALE 1:25

BRACINGS ACCORDING TO TIMBER TABLE AND STABILITY OF THE TRUSS SYSTEM SHALL BE DESIGNED SEPARATELY



TIMBER: THICKNESS 45 mm 3 PLY				
CONSTR.-PART	DEPTH mm	GRADE	BRACING mm	LOAD N/m²
2-1	145	K24	Full	300
3-4	195	K24	400	650
1-5	95	K18	None	150
2-4	95	K18	None	150
2-5	95	K18	None	
SC 3-4	2x45x195	K24		

GENERAL SETTINGS:	
TIMBER THICKNESS: (mm)	3 x 45
TRUSS CENTRES: (mm)	600
CLIMATE CLASS:	2
SAFETY CLASS:	2
LOADS (N/m²):	
SNOW LOAD (BASE VALUE):	1600
WIND LOAD (BASE VALUE):	640
DEAD LOADS: SEE TIMBER TABLE	
OTHER LOADS AS PER CALC. PRINT-OUT	

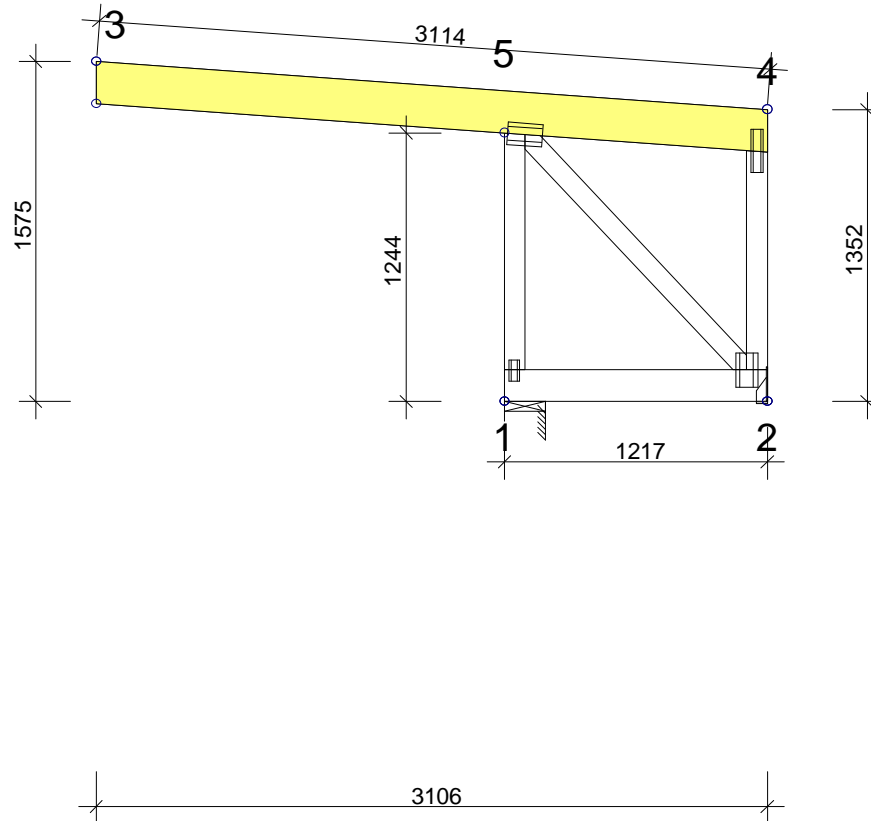
GENERAL DIRECTIONS:

THE STRUCTURE HAS BEEN CALCULATED USING COMPUTER PROGRAM "TRUSSCON". LIC.NO: 15323
 CODE TIMBER: BKR03 (BFS2005:18)
 CODE FASTENER: GODKÄNNANDE-REGLER No 4 1974.

VERSION: 2011 SR3c
 TIME: 15.56

		Woodcon, Ltd. REG.LV41203036961 Ph:+37129332958 e-mail: woodcon@woodcon.lv		
		DRAWN CONSTR.BY ,20120403	CHECKED ,20120403	JOB NO. Complex_6
		CODE TYPE NO.	DRAWING NUMBER T13	REG.

BRACINGS ACCORDING TO TIMBER TABLE AND STABILITY OF THE TRUSS SYSTEM SHALL BE DESIGNED SEPARATELY



TIMBER: THICKNESS 45 mm 3 PLY				
CONSTR.-PART	DEPTH mm	GRADE	BRACING mm	LOAD N/m²
2-1	145	K24	Full	300
3-4	195	K24	400	650
1-5	95	K18	None	150
2-4	95	K18	None	150
2-5	95	K18	None	
SC 3-4	2x45x195	K24		

GENERAL SETTINGS:	
TIMBER THICKNESS: (mm)	3 x 45
TRUSS CENTRES: (mm)	600
CLIMATE CLASS:	2
SAFETY CLASS:	2
LOADS (N/m²):	
SNOW LOAD (BASE VALUE):	1600
WIND LOAD (BASE VALUE):	640
DEAD LOADS: SEE TIMBER TABLE	
OTHER LOADS AS PER CALC. PRINT-OUT	

GENERAL DIRECTIONS:

THE STRUCTURE HAS BEEN CALCULATED USING COMPUTER PROGRAM "TRUSSCON". LIC.NO: 15323
 CODE TIMBER: BKR03 (BFS2005:18)
 CODE FASTENER: GODKÄNNANDE-REGLER No 4 1974.

VERSION: 2011 SR3c
 TIME: 15.56

		Woodcon, Ltd. REG.LV41203036961 Ph:+37129332958 e-mail: woodcon@woodcon.lv		
		DRAWN CONSTR.BY ,20120403	CHECKED ,20120403	JOB NO. Complex_6
		CODE TYPE NO.	DRAWING NUMBER T14	REG.